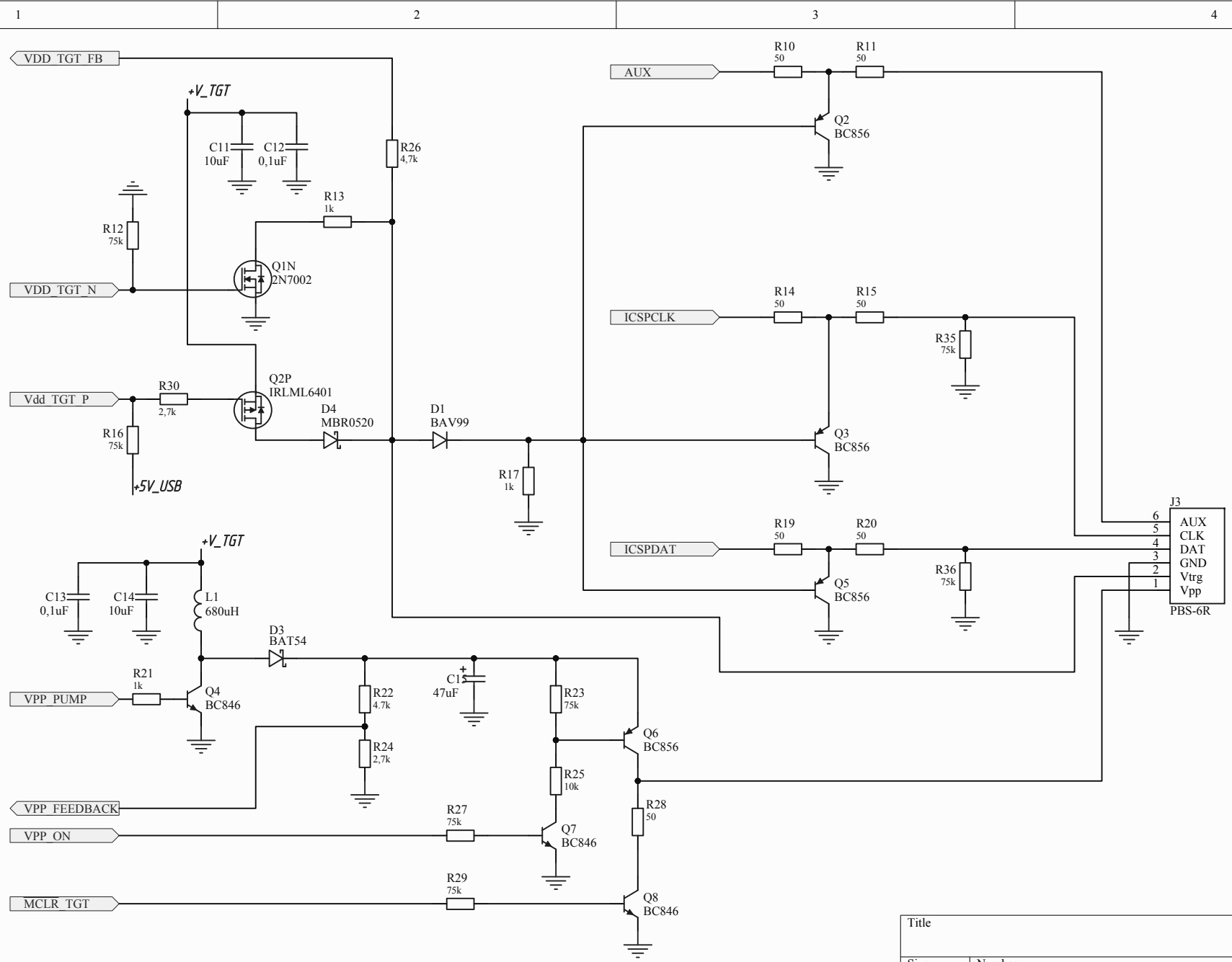


- 1. R7, R34 not mount
- 2. R33 - wire on pcb
- 3. DS1\* - led 3mm RED
- 4. DS2\* - led 3mm GREEN
- 5. DS3\* - led 3mm YELLOW
- 6. Mount led: DSx (smd) or DSx\* (pin)

Title			
Size	Number	Revision	
A4			
Date:	17.11.2012	Sheet of	
File:	d:\work\...\pk2_sh2.SchDoc	Drawn By:	WZB www.qbit.su



Title		
Size	Number	Revision
A4		
Date:	17.11.2012	Sheet of
File:	d:\work\...\pk2_sh1.SchDoc	Drawn By: